

Dishwasher Specification Form

(This form must be submitted with your order)

Date

Job Name

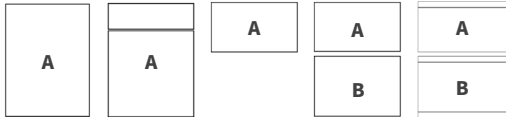
Appliance Make

Dealer

Item Number

Appliance Model Number

DFPC1 DFPC2 DFPC3 DFPC4 DFPC5



Please select a cabinet configuration:

**If custom, please attach a detailed drawing*

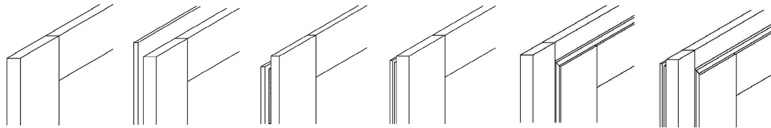
DESIGN NOTES:

Flush inset cleating not included.
If cleating is necessary, please order separately.

Panel doors over 24" wide or 48" tall will have a center stile and/or rail unless specified otherwise.

Configuration

AFCTS1 AFCTS2 AFCTS3 AFCTS4 AFCTS5 AFCTS6



Please select a construction:

BACKER REVEALS & OFFSETS

If AFCTL2, AFCTL3, ACTL4, or AFCTL6, please attach additional manufacturing specifications for backer reveals and offsets.

Construction, Backer Reveals & Offsets

(A) Panel

(A) Backer

(A) Spacer

(B) Panel

(B) Backer

(B) Spacer

Dimensions (W x H)

STANDARD APPLICATION

Overall Front

Drawer Height

Door Height

FLUSH INSET APPLICATION

(C) Top Rail Width

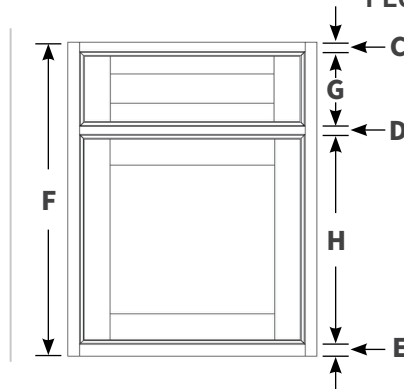
(F) Overall Frame Size

(D) Middle Rail Width

(G) Drawer Opening Height

(E) Bottom Rail Width

(H) Door Opening Height



Applications