



Bulletin 2014-02: Sample Request Form

February 2014

Date of request _____

Dealership _____

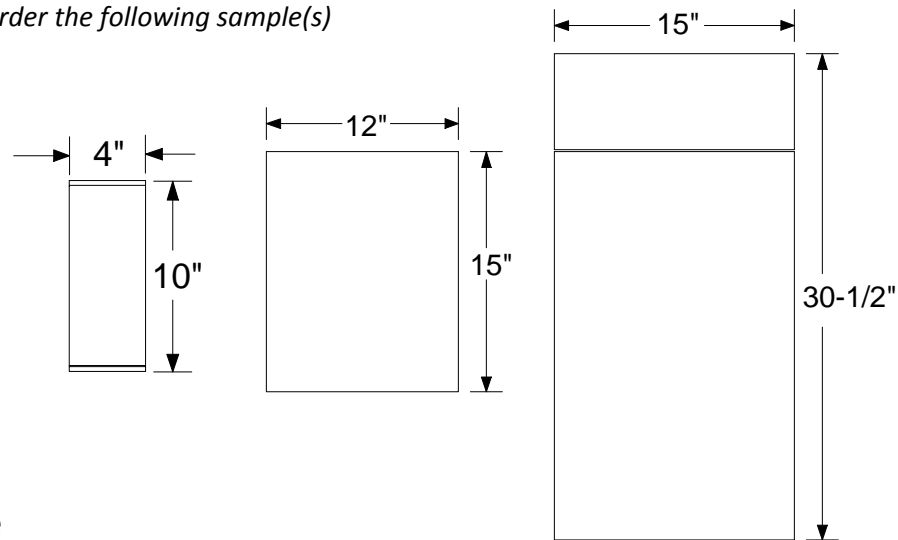
Contact _____

Phone _____

Email _____

Job name _____

Grabill please order the following sample(s)



Sample type

Request a 10" x 4" color block (**Use only for ordering door samples**) as (SAMP-10X4), a 12" x 15" door as (SAMP-1515-SF) or a 15" x 30-1/2" base sample (SAMP-BF-SF).

Sample type _____ Quantity _____

Framed/frameless base sample _____

Door style _____

Door edge _____

Door panel _____

Drawer front _____

Drw edge _____

Drw panel _____

Finish _____

Sheen _____

Finish _____

Sheen _____

Finish _____

Sheen _____

Finish _____

Sheen _____

Finish _____

Sheen _____