



Bulletin 2013-04: Sample Request Form

October 2013

Date of request _____

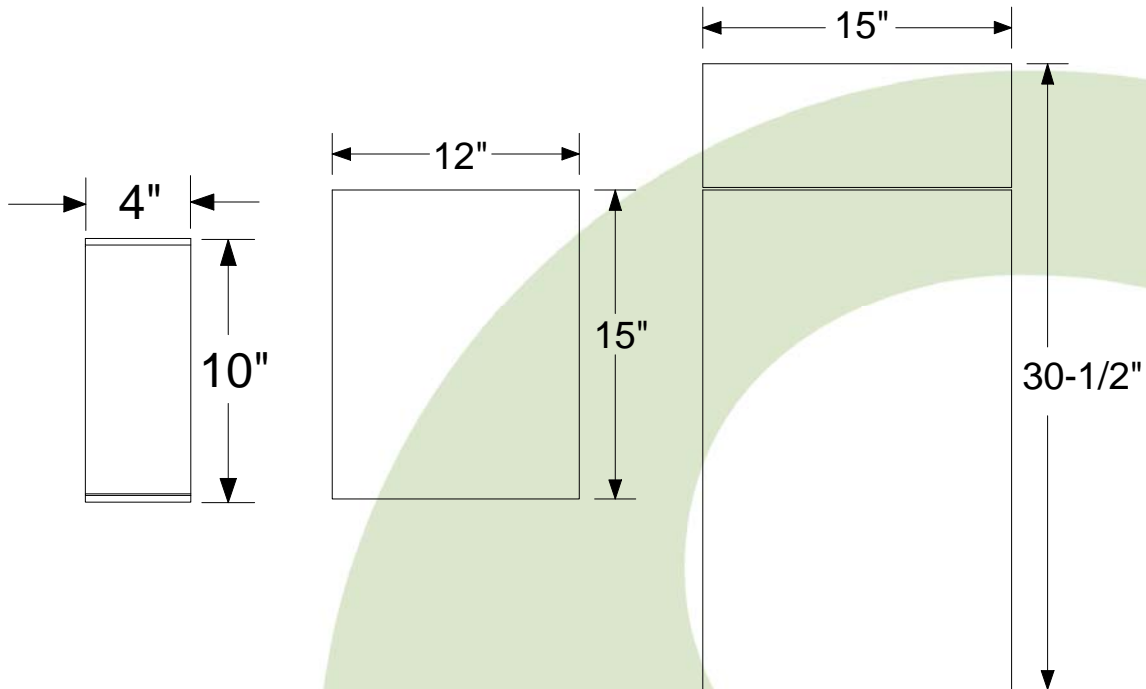
Dealership _____ Contact _____ Phone _____

Email _____ Job name _____

Grabill please order the following sample(s)

Sample type

Request a 10" x 4" color block (**Use only for ordering door samples**) as (SAMP-10X4), a 12" x 15" door as (SAMP-1515-SF) or a 15" x 30-1/2" base sample (SAMP-BF-SF).



Sample type _____ Quantity _____

Framed/frameless base sample _____

Door style _____ Door edge _____ Door panel _____

Drawer front _____ Drw edge _____ Drw panel _____

Finish _____	Sheen _____
Finish _____	Sheen _____
Finish _____	Sheen _____
Finish _____	Sheen _____
Finish _____	Sheen _____